

## E5-6 Cam Latch

Glass-filled nylon · Tool operated · Fixed grip

### Features

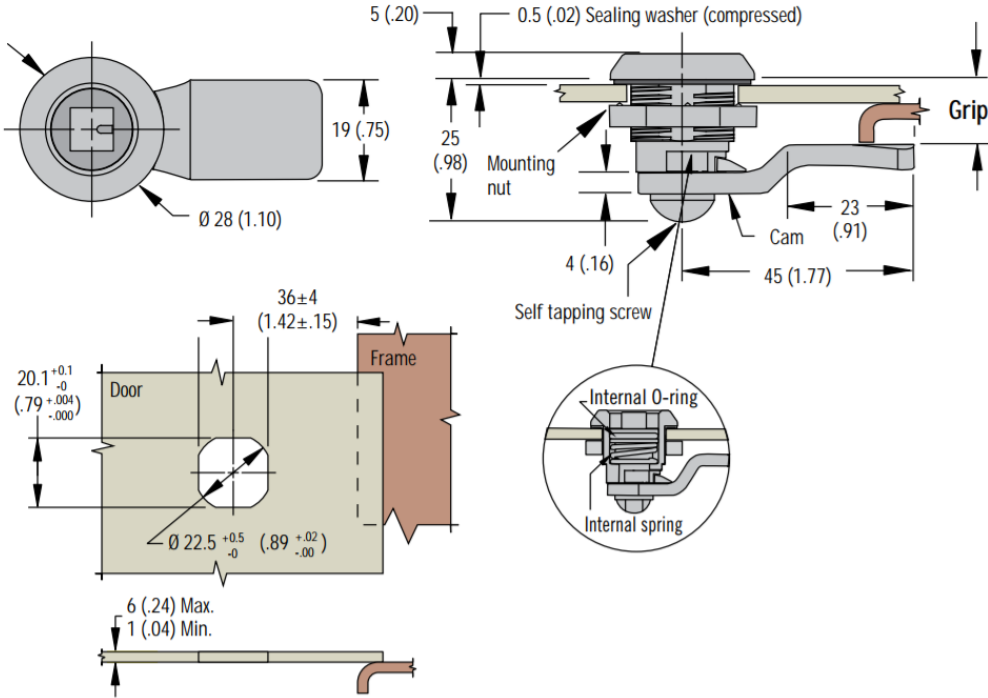
- Single hole install
- Latched / unlatched indicator

### Material

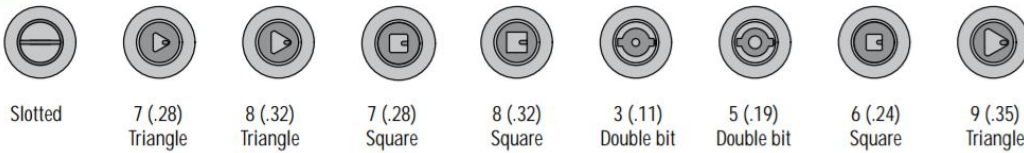
- Glass-filled nylon and steel, zinc plated

### Product Performance

- Max. static load: 300 N
- Mounting nut maximum tightening torque: 4.25 N.m
- Screw maximum tightening torque: 3.1 N.m



### H Head Styles



Latch Part Number (no cam)

E5 - 6 - H 3 - UU1

### H Head style

- 00 Slotted
- 02 7 (.28) Triangle
- 03 8 (.32) Triangle
- 04 7 (.28) Square
- 05 8 (.32) Square
- 06 3 (.11) Double bit
- 07 5 (.19) Double bit
- 14 6 (.24) Square
- 15 9 (.35) Triangle

Cam Part Number Table (order separately from latch)

Grip +2 (.08) - 0 (.00)	Part Number	Grip +2 (.08) - 0 (.00)	Part Number	Grip +2 (.08) - 0 (.00)	Part Number	Grip +2 (.08) - 0 (.00)	Part Number
4 (.16)	E5-6003	14 (.55)	E5-6008	24 (.94)	E5-6013	34 (1.34)	E5-6018
6 (.24)	E5-6004	16 (.63)	E5-6009	26 (1.02)	E5-6014	36 (1.42)	E5-6019
8 (.31)	E5-6005	18 (.71)	E5-6010	28 (1.10)	E5-6015	38 (1.50)	E5-6020
10 (.39)	E5-6006	20 (.79)	E5-6011	30 (1.18)	E5-6016	40 (1.57)	E5-6021
12 (.47)	E5-6007	22 (.87)	E5-6012	32 (1.25)	E5-6017	42 (1.65)	E5-6022



## E5 Cam Latch Accessories

### Keys and flush mount bracket

#### Material

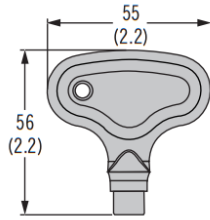
- Tool key: Zinc alloy or nylon
- Overmolded key: Nickel plated and ABS plastic black
- Flat key: Nickel plated



#### Keys Zinc or Nylon

##### H Head style

- 2 3 (.11) Double bit
- 3 7 (.28) Triangle
- 4 7 (.28) Square
- 7 8 (.32) Triangle
- 8 8 (.32) Square recess
- 9 5 (.19) Double bit (nylon only)
- 10 8 (.32) Square male (zinc only)
- 11 Bellcore electronics
- 12 Bellcore 216 (zinc only)
- 14 Railway Standard (zinc only)



##### F Finish

- 1 Plated zinc
- 2 Natural zinc
- 3 Nylon, black

E3 - H - F

#### Head Styles

- 2 3 (.11) Double bit
- 3 7 (.28) Triangle
- 4 7 (.28) Square
- 7 8 (.32) Triangle
- 8 8 (.32) Square recess
- 9 5 (.19) Double bit
- 10 8 (.32) Square male
- 11 Bellcore electronics
- 12 Bellcore 216
- 14 Railway Standard

#### Overmolded Keys

Key CH751



Key R001



#### Flat Keys

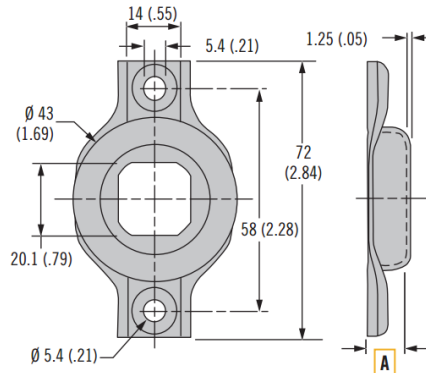
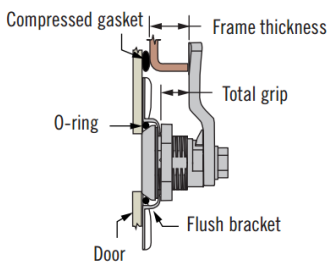
Key CH751



#### Part Number

- Overmolded key CH751:
  - Single: PK-10-10-05
  - Pair: PK-10-01-05
- Overmolded key R001:
  - Single: PK-10-10-05-KR001
  - Pair: PK-10-01-05-KR001
- Flat key
  - Pair: PK-10-01

#### Flush Mount Bracket



#### Material

- Stainless steel or galvanized steel with rubber o-ring

A	Part Number	Material
6.6	E3-77-1-12	Galvanized steel
6.6	E3-77-1-24	304 Stainless steel

To calculate the **Total Grip**, use the following formula: **Frame Thickness + Compressed Gasket - A**.  
Use this **Total Grip** with the appropriate E5 tables in the *SOUTHCO*® Handbook to determine cam type.